

BBH 1000 and BBH 2000

For big bag handling applications, J.D. Neuhaus offers innovative system solutions and thus meet the special requirements of this range of use.

JDN Big Bag Handling Air Hoists are available at carrying capacities of 1100 kg and 2200 kg with an air pressure of 85 PSI.

Designs with one or two load hooks

- With one load hook for cross beams. The large distance between the hook and the chain box is particularly advantageous.
- With two load hooks for more complex multi-point cross beams or simple rod cross beams with two means of suspension.

THE ADVANTAGES AT A GLANCE

- Particularly suited for use as big bag handling hoists and for the movement of all kinds of bulky loads due to the extreme low construction height.
- Compact, modern design.
- Usable as synchronised hoist in two-hook design.
- Very economical and reliable due to the use of proven JDN serial components.
- No additional motor lubrication required.
- Fewer parts for operation free of maintenance and wear.
- Chain box included in standard equipment.
- Adjustable to various I-profiles; customized hook distance.

Take advantages of compressed air as the driving medium:

- Suited for standard use in areas at risk of explosion. Explosion protection classification according to Directive 94/9/EG (Equipment and protective systems intended for use in potentially explosive areas (ATEX)). The hoists are available for the following explosion protection classifications:
 - ⊕ II 2 GD IIA T4(X) / II 3 GD IIB T4(X),
 - ⊕ II 2 GD IIB T4(X) or II 2 GD IIC T4(X).
- 100 % duty rating, and thus no downtimes.

TECHNICAL DATA

Type		BBH 1000-1	BBH 2000-1
Number of hooks		1	
Air pressure	PSI	85	
	Bar	6	
Carrying capacity	t	1.1	2.2
Number of chain strands		1	2
Engine output hoist	kW	0.7	
Engine output trolley	kW	0.2	
Lifting speed at full load	ft/min	12.14	5.58
	m/min	3.7	1.7
Lifting speed without load	ft/min	24.61	11.48
	m/min	7.5	3.5
Lowering speed at full load	ft/min	32.81	16.40
	m/min	10	5
Air consumption at full load – lifting	cfm	49.44	
	m ³ /min	1.4	
Air consumption at full load – lowering	cfm	42.38	
	m ³ /min	1.2	
Air consumption at full load – trolley	cfm	21.19	
	m ³ /min	0.6	
Air connection		G ¹ / ₂	
Hose dimension (Ø inside / Ø outside)	inch.	0.59/1.06	
	mm	15/27	
Weight at standard lift and K min	lbs	286.60	302.03
	kg	130	137
Chain dimension	inch.	0.28 x 0.83	
	mm	7 x 21	
Weight of 1 m chain	lbs	2.20	
	kg	1	
Standard lift	ft	10	
	m	3	
Length of control at standard load ¹ – lift	ft	6.5	
	m	2	
Sound level at full load ¹ – lifting	dB(A)	76	
Sound level at full load ¹ – lowering	dB(A)	78	
Sound level at full load ¹ – trolley	dB(A)	80	

¹ Measured at 1 m distance acc. to DIN 45635 part 20

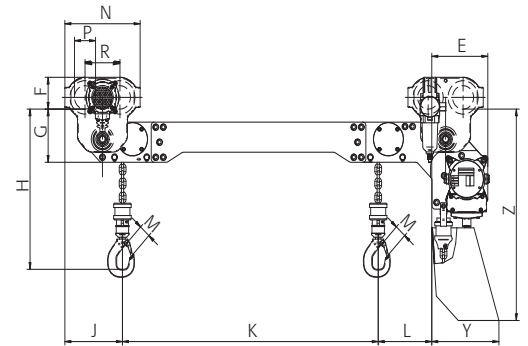
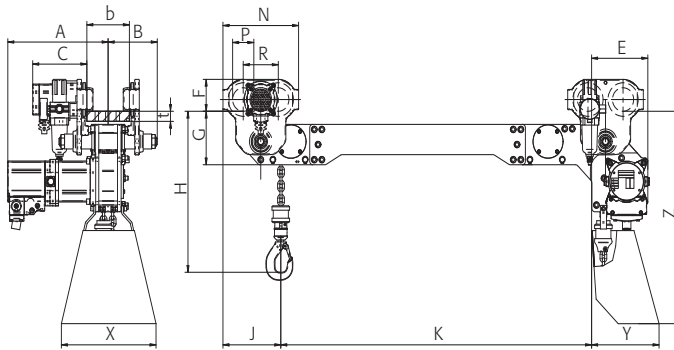
DIMENSIONS

Type		BBH 1000-1	BBH 2000-1
A	inch.	13.1	
	mm	332	
B	inch.	6.4/8.7	
	mm	163/220	
b	inch.	3.54	
min.	mm	90	
max.	inch.	12.20	
	mm	310	
C	inch.	7.17	
	mm	182	
E	inch.	7.68	
	mm	195	
F	inch.	3.74	
	mm	95	
G	inch.	6.26	
	mm	159	
H	inch.	15.3	17.24
	mm	388	438
J	inch.	7.56	8.66
	mm	192	220
K	inch.	17.13	16.14
min.	mm	435	410
max.	inch.	43.31	
	mm	1100	
L	inch.	–	
	mm	–	
M	inch.	1.10	
	mm	28	
N	inch.	9.84	
	mm	250	
P	inch.	2.76	
	mm	70	
R	inch.	4.57	
	mm	116	
t	inch.	1.18	
max.	mm	30	





BBH 1000-2



TECHNICAL DATA

Type		BBH 1000-2	BBH 2000-2
Number of hooks		2	
Air pressure	PSI	85	
	Bar	6	
Carrying capacity	t	1.1	2.2
Number of chain strands		2	4
Engine output hoist	kW	0.7	
Engine output trolley	kW	0.2	
Lifting speed at full load	ft/min	12.14	5.58
	m/min	3.7	1.7
Lifting speed without load	ft/min	24.61	11.48
	m/min	7.5	3.5
Lowering speed at full load	ft/min	32.81	16.40
	m/min	10	5
Air consumption at full load – lifting	cfm	49.44	
	m ³ /min	1.4	
Air consumption at full load – lowering	cfm	42.38	
	m ³ /min	1.2	
Air consumption at full load – trolley	cfm	21.19	
	m ³ /min	0.6	
Air connection		G ¹ / ₂	
Hose dimension (Ø inside / Ø outside)	inch. mm	0.59/1.06 15/27	
Weight at standard lift and K min	lbs kg	302.03 137	328.49 149
Chain dimension	inch. mm	0.28 x 0.83 7 x 21	
Weight of 1 m chain	lbs kg	2.20 1	
Standard lift	ft m	10 3	
Length of control at standard load ¹ – lift	ft m	6.5 2	
Sound level at full load ¹ – lifting	dB(A)	76	
Sound level at full load ¹ – lowering	dB(A)	78	
Sound level at full load ¹ – trolley	dB(A)	80	

DIMENSIONS

Type		BBH 1000-2	BBH 2000-2
A	inch. mm	13.1 332	
B	inch. mm	6.4/8.7 163/220	
b	min. inch. mm	3.54 90	
	max. inch. mm	12.20 310	
C	inch. mm	7.17 182	
E	inch. mm	14.69 373	13.62 346
F	inch. mm	3.74 95	
G	inch. mm	6.26 159	
H	inch. mm	15.3 388	17.24 438
J	inch. mm	7.56 192	8.66 220
K	min. inch. mm	10.24 260	
	max. inch. mm	51.18 1300	
L	inch. mm	6.89 175	5.91 150
M	inch. mm	1.10 28	
N	inch. mm	9.84 250	
P	inch. mm	2.76 70	
R	inch. mm	4.57 116	
t	max. inch. mm	1.18 30	

¹ Measured at 1 m distance acc. to DIN 45635 part 20

